

Self Retaining Spacers

Pack of 50



FEATURES:

Self-Retaining Spacer Pack (50 pieces)

Mounting Hole \varnothing 4.7 mm \pm 0.08 mm

Panel thickness 1.6 mm

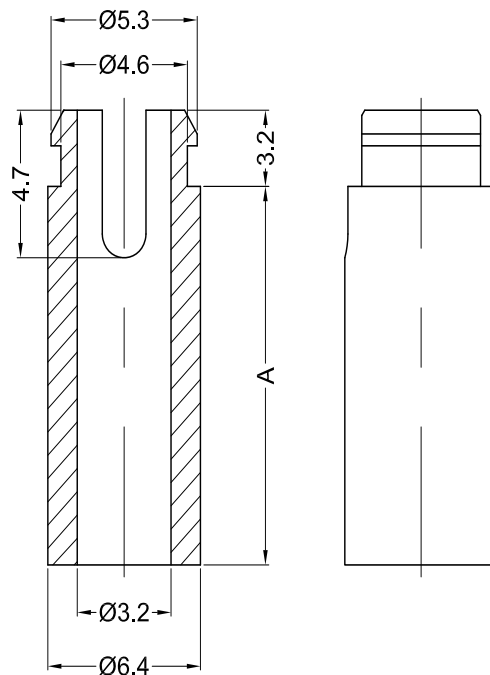
SPECIFICATION:

Material PA 66, UL94-V2

Colour Natural

PRODUCT RANGE:

Art. Nr.	A	Bore
RND 610-00184	3.2 mm	4.7 mm
RND 610-00185	4.8 mm	4.7 mm
RND 610-00186	6.4 mm	4.7 mm
RND 610-00187	7.9 mm	4.7 mm
RND 610-00188	9.5 mm	4.7 mm
RND 610-00189	11.1 mm	4.7 mm
RND 610-00190	12.7 mm	4.7 mm
RND 610-00191	15.9 mm	4.7 mm
RND 610-00192	19.1 mm	4.7 mm
RND 610-00193	22.2 mm	4.7 mm
RND 610-00194	25.4 mm	4.7 mm



For more information and technical drawings, please contact us at info@distrelec.com.